

SMGL3 Series

QUIET, LOW ENERGY
SIZE REDUCTION
EQUIPMENT
PERFORMANCE
PORTABILITY
RELIABILITY



SMGL3



SMGL3 Series

New SMGL3 portable grinders.
Engineered with features to enhance productivity .

PRODUCE A UNIFORM SIZE, WITH
MINIMAL DUST, USING LESS ENERGY,
IN LESS SPACE, WITH LESS NOISE.

Thoughtfully engineered to enhance productivity

A larger knife area is paired with a smaller motor so you grind more with less energy. Sharp, hardened-steel knives improve cutting and last longer. Even the stationary cutter, scraper and stationary crushing cutter can be flipped to provide a new, sharp cutting surface.

The SMGL3 low-speed, energy-saving, granulator grinds to a consistent size. Dusting and cutting errors are reduced, and no "longs" can slip through. Regrind flows more consistently into your production, moving easily through your material handling systems and molding with fewer rejects.

Quiet, safe operation

Chute and cutting chamber are re-designed to lower decibel levels. Units are also equipped with three limit switches and an emergency shut-off button. An integrated thermostat helps prevent the motor from overheating.

Small footprint and portable design

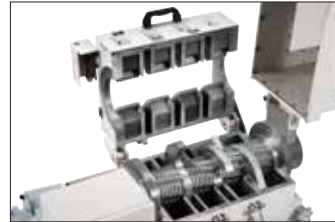
The SMGL3 has a smaller footprint. And it can be completely cleaned from one side of the grinder. So it can tuck neatly into a convenient, out of the way place or close to a machine.

Easy-to-clean and virtually maintenance free

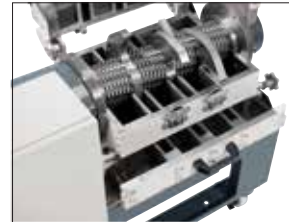
Hardened-steel components and easy-to-clean design make changing material and color a snap. SMGL3's are screenless, so there is even less maintenance and no screen to wear out and replace. The smart, simple design means years of reliable, maintenance-free operation.



CHAMBER
ACCESS IS
DESIGNED TO MAKE
CLEANING SIMPLY
QUICKER.



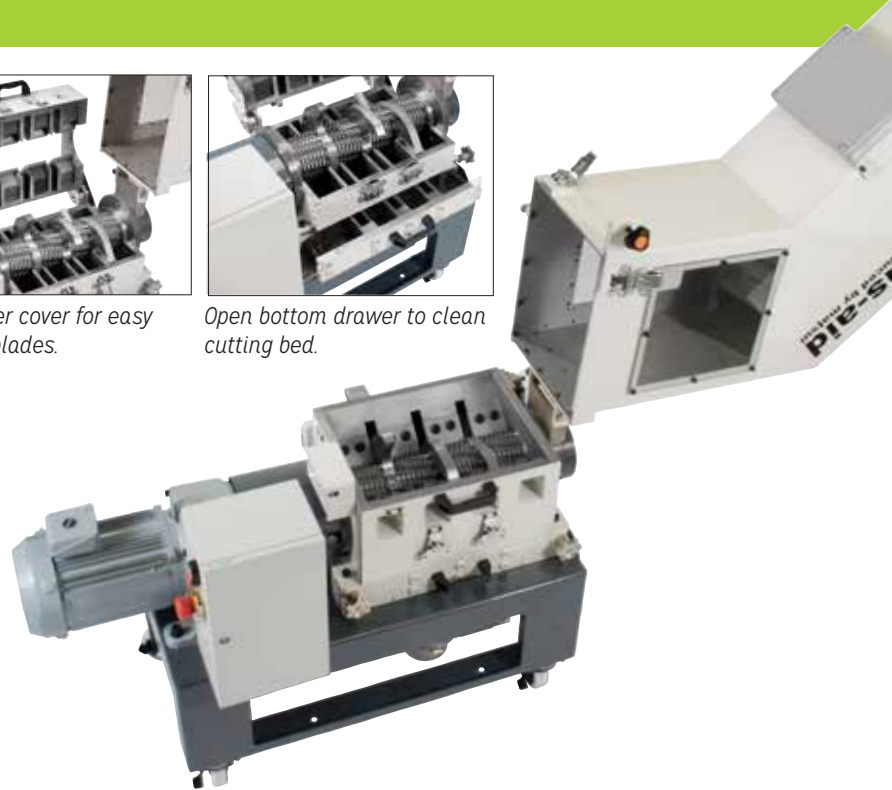
Lift the chamber cover for easy access to the blades.



Open bottom drawer to clean cutting bed.

Access the complete chamber from one side so cleanups are fast and easy

No need to spin the SMGL3 to clean both sides. You access every cleaning surface from one side of the grinder. It opens wide to expose the grinding chamber and blades. The cover lifts to completely expose the hardened steel blades and cutting bed. The lower cutting bed pulls out. Hardened-steel parts clean up fast and reduce maintenance costs.



PRODUCTIVITY, QUALITY AND SAFETY IS IN THE DETAILS



Piston assists raising and lowering steel cutting chamber cover.



Multiple safety switches ensure cutting chamber is disabled during maintenance.



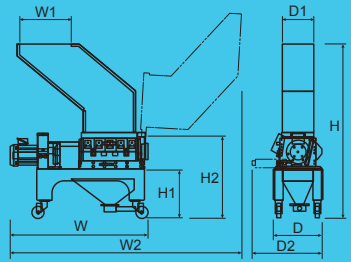
Take-off can be rotated 360° to simplify hook-ups.



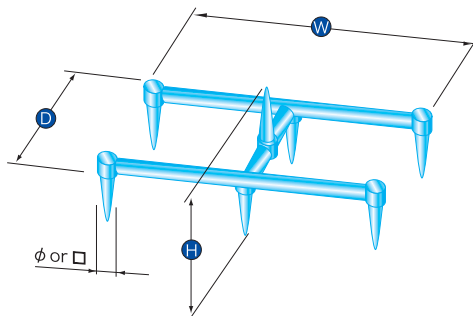
Powerful chute magnet captures metal and protects hardened steel cutting blades.

SMGL3 SERIES SPECIFICATIONS

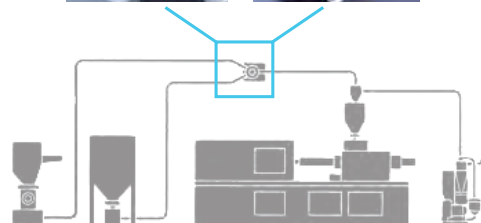
MODEL MGL3	SMGL3-G1-1/2	SMGL3-G1-2/3	SMGL3-G1-3/4	SMGL3-G1-4/5
POWER (VOLTS)	230 / 460, 3P, 60 Hz			
MOTOR CAPACITY (HP)	0.5	1.0	2.0	2.0
ROTATING SPEED (RPM)	30			
CUTTERS	5X5	5X5	5X5	5X6
SMALL ROTATING CUTTERS	2	3	4	5
LARGE ROTATING CUTTERS	1	2	3	4
CUTTING CHAMBER (mm)	167 X 262	261 X 262	355 X 262	449 X 262
THROUGHPUT (kg/hr)	5	10	15	20
MAX. RUNNER DIMS W/D/H (mm)	150x240x120	250x240x120	345x240x120	435x240x120
MAX. RUNNER DIAMETER (mm)	7mm	7mm	7mm	9mm
OUTER DIMENSIONS (mm)	W	W	W	W
	W1	W1	W1	W1
	W2	W2	W2	W2
	D	D	D	D
	D1	D1	D1	D1
	D2	D2	D2	D2
	H	H	H	H
	H1	H1	H1	H1
	H2	H2	H2	H2



RUNNER DIMENSIONS & DIAMETER



JSV REGRIND VALVE



REGRIND RATIO VALVE

PORT SIZE	
REQUIRED AIR PRESSURE	
DIMENSIONS (INCHES)	

JSV-38

PORT SIZE	1.5" 0
REQUIRED AIR PRESSURE	50 - 70 PSI
DIMENSIONS (INCHES)	9.9 X 8.7 X 13.2

JSV-50

PORT SIZE	2.0" 0
REQUIRED AIR PRESSURE	50 - 70 PSI
DIMENSIONS (INCHES)	9.9 X 8.7 X 13.2

